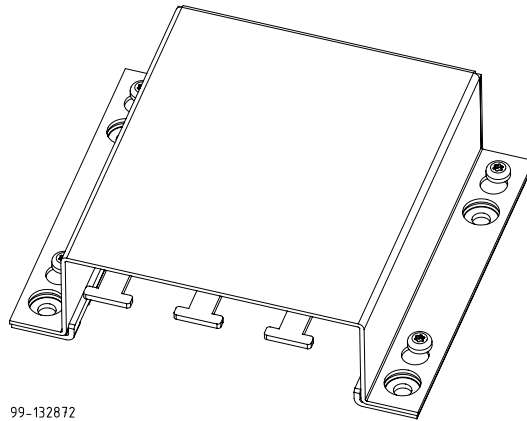
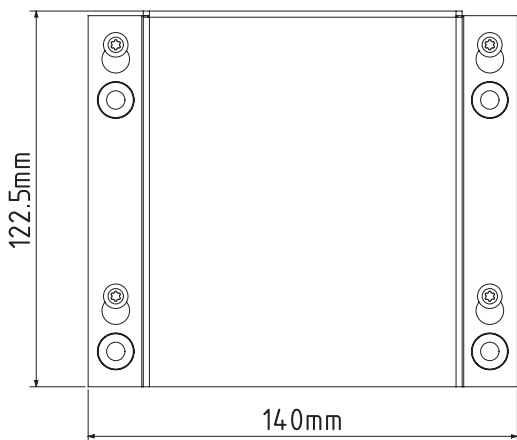
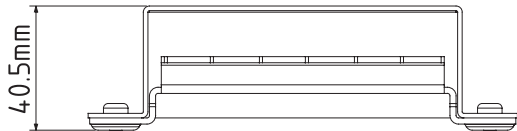


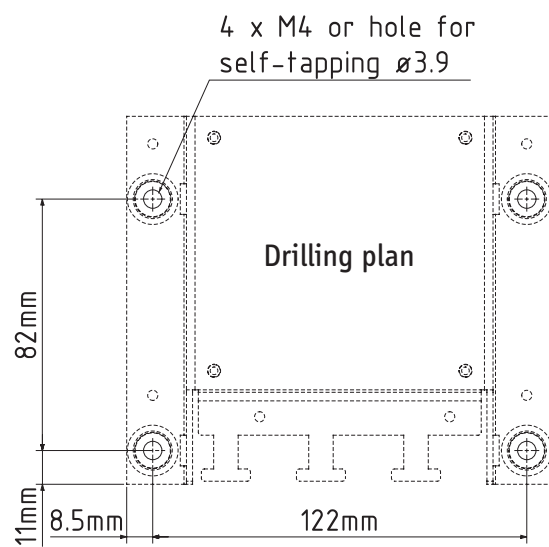
SAILOR 6208 Control unit connection box



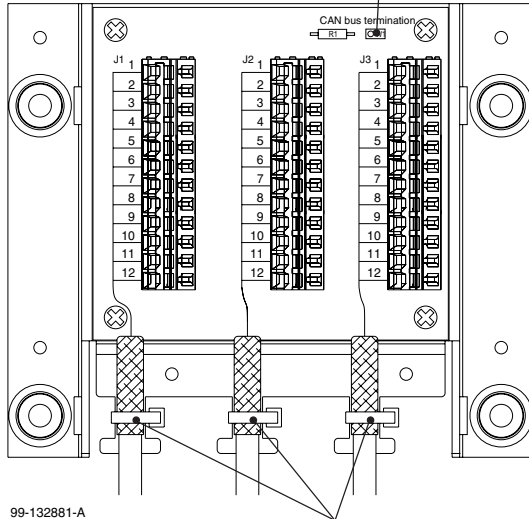
99-132872



99-132590



This jumper is for CAN bus termination.
 The last SAILOR 6208 on the bus (furthest
 from the transceiver) must be terminated.



Regarding installation details
 see installation manual.

Use cable strips to secure cables.

