


2J9001 2J9001A 2J9001C 2J9001CA (Datasheet)

Type	Marine Antenna
Frequencies	GPS (1575.42 MHz) GLONASS (1592 - 1610 MHz)
Mounting	Any Surface
Revision	00




P. Tipul


D. Noble



1. PRODUCT SELECTOR

2J9001	version with bracket and TNC connector on bottom side
2J9001A	version without bracket and TNC connector on bottom side
2J9001C	version with bracket and cable going from bottom side
2J9001CA	version without bracket and cable going from bottom side

2. SPECIFICATION

2.1. *Electrical Specifications*

Frequencies	GPS/GLONASS (1572 – 1610 MHz)
Impedance	50 Ohms
Polarization	RHCP
LNA Gain	23dB at 3V and 24dB at 5V
VSWR	<1.2:1
Voltage supply	2,7V - 5,5V
Current	15 mA to 25 mA
Power (max.)	138mW
Operating temperature	-40°C to +85°C
IP certification	IP67
Note	Antenna is filtered

2.2. *Connection Specifications*

2.2.1. 2J9001 and 2J9001A

Connector type: TNC female (placed in middle part)

- Antenna can be sold with extension cable (TNC male to any connectors suitable for RG58)

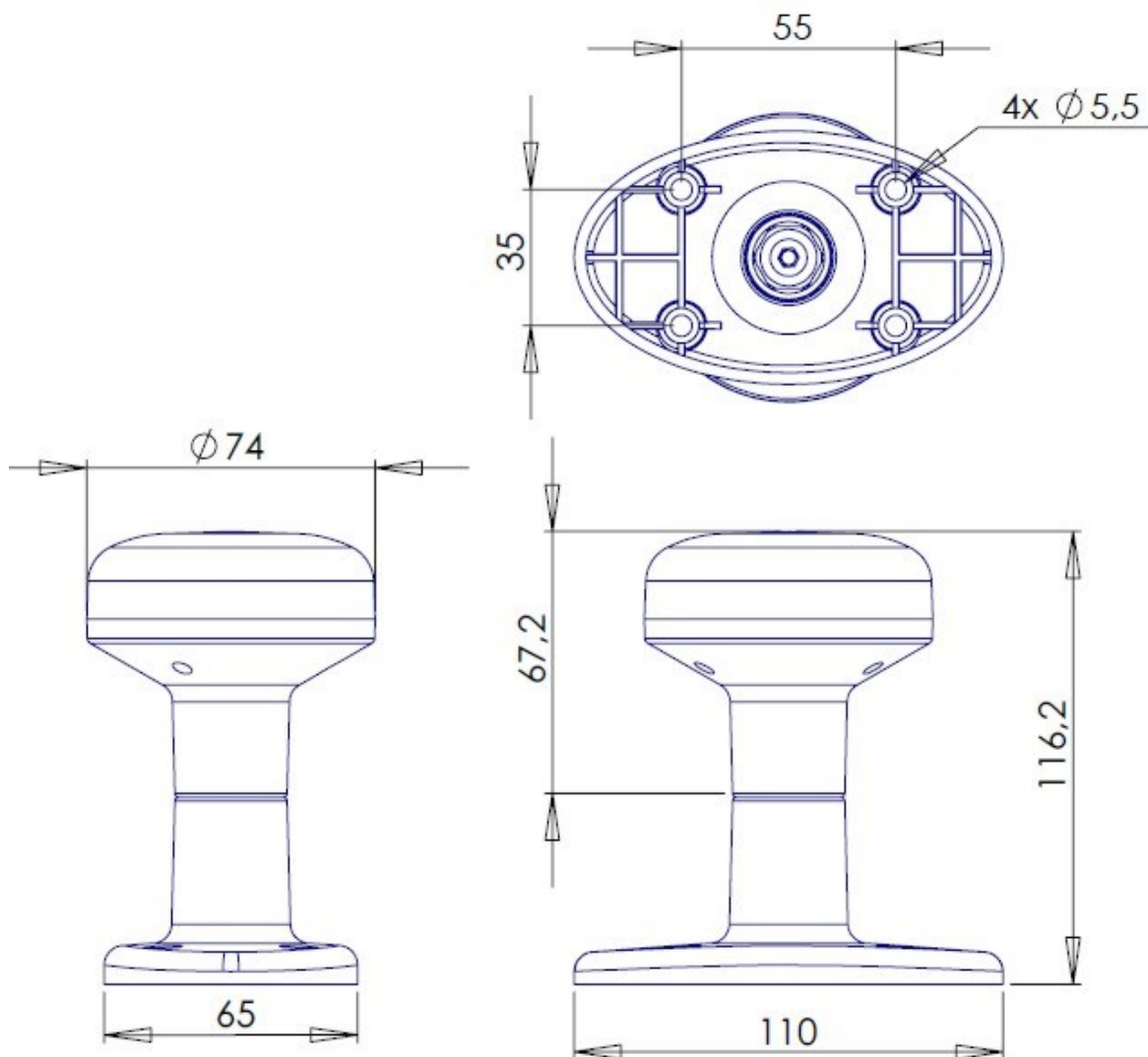
2.2.2. 2J9001C and 2J9001CA

Connector type: SMA male
Cable type: RG58 white
Cable length: 30cm

2.3. Mechanical Specifications and Dimensions

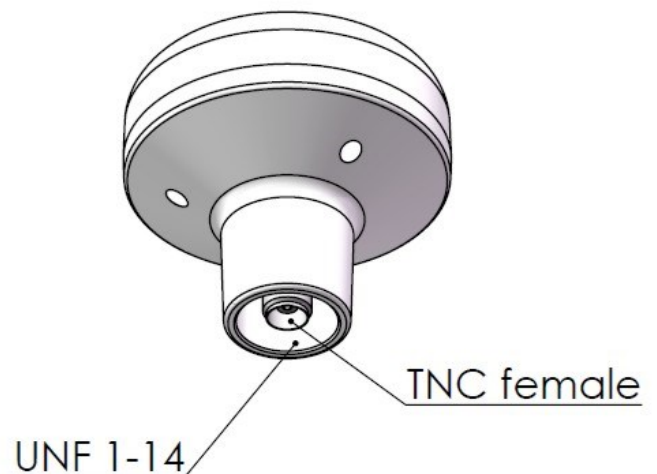
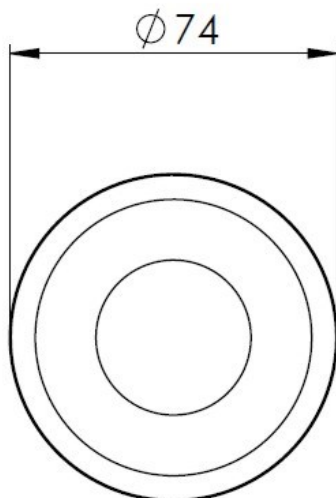
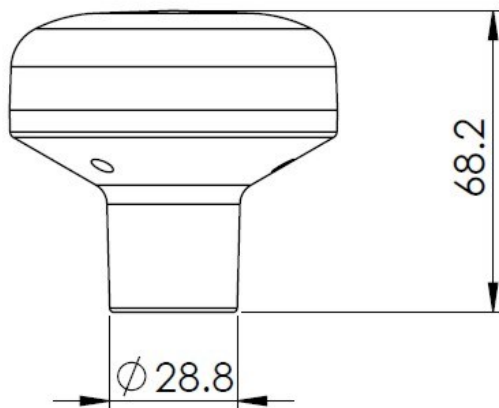
2.3.1. 2J9001

Material:	ASA
Max. dimensions:	116mm x 110mm x 74mm (H x L x W)
Weight:	130 g 'counted with default connection'
Colour:	White (for different colours please ask our sales team)



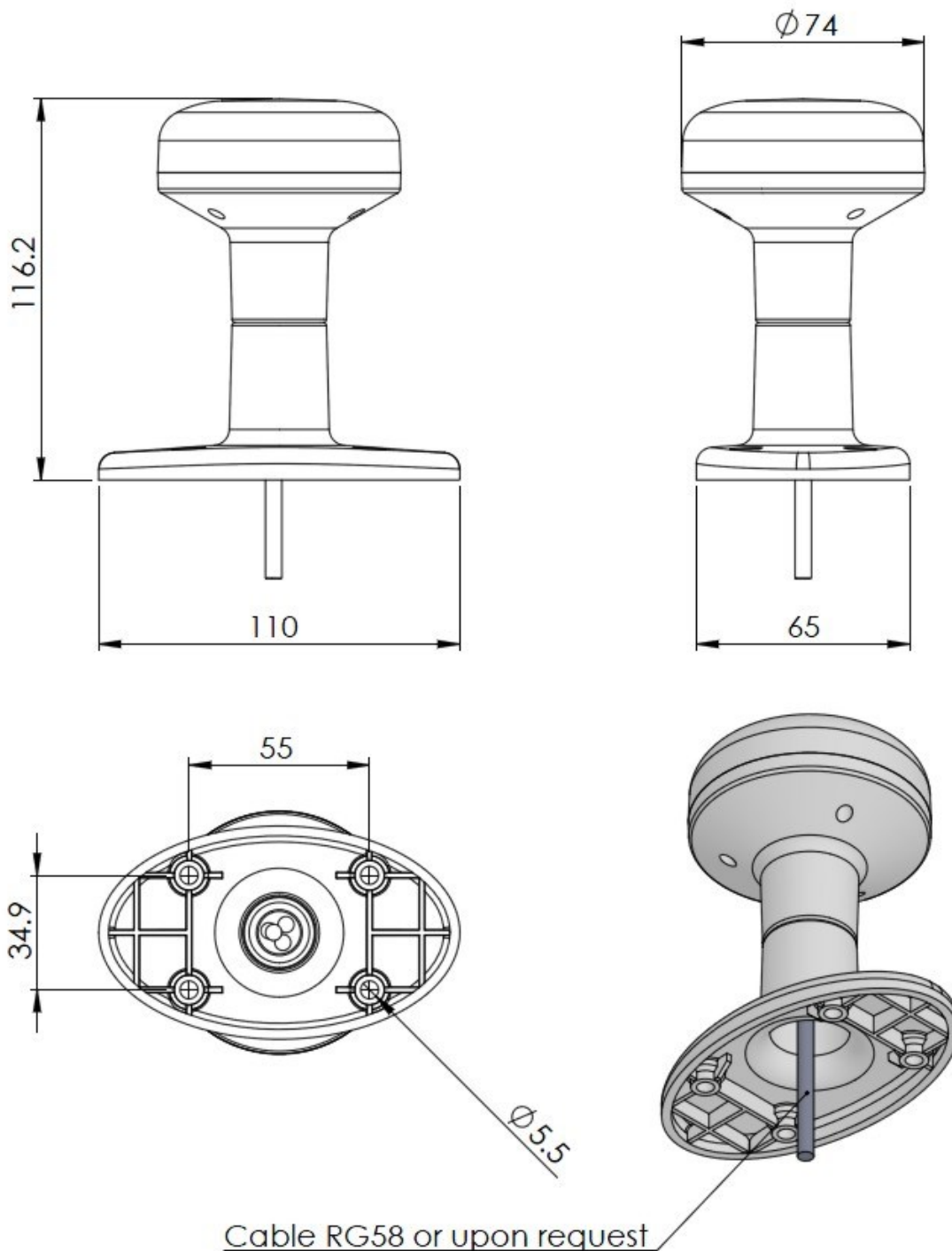
2.3.2. 2J9001A

Material:	ASA
Max. dimensions:	68.2mm x 74mm (H x D)
Weight:	92 g 'counted with default connection'
Colour:	White (for different colours please ask our sales team)



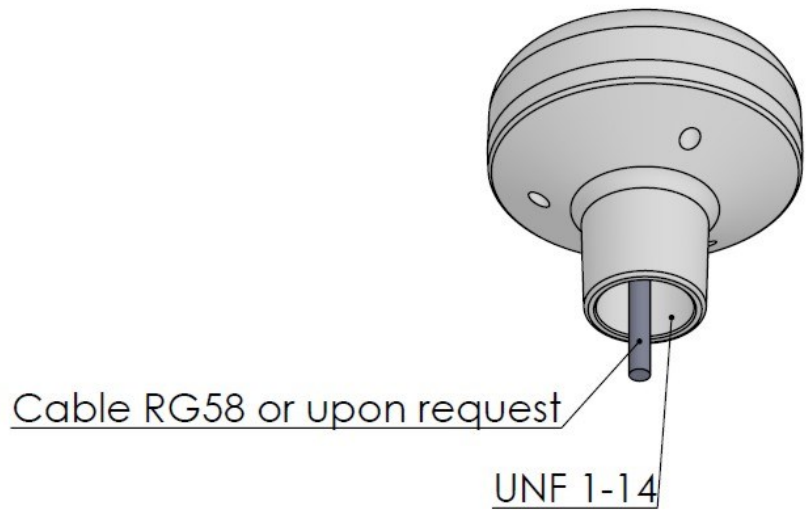
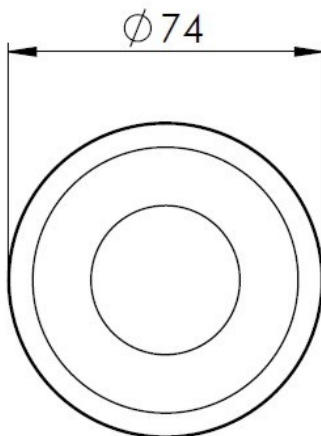
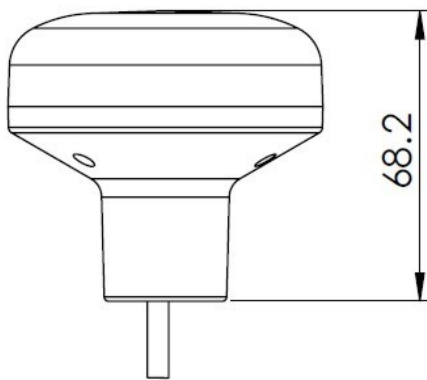
2.3.3. 2J9001C

Material: ASA
Max. dimensions: 68.2mm x 74mm (H x D)
Weight: 135 g 'counted with default connection'
Colour: White (for different colours please ask our sales team)



2.3.4. 2J9001CA

Material:	ASA
Max. dimensions:	68.2mm x 74mm (H x D)
Weight:	97 g 'counted with default connection'
Colour:	White (for different colours please ask our sales team)

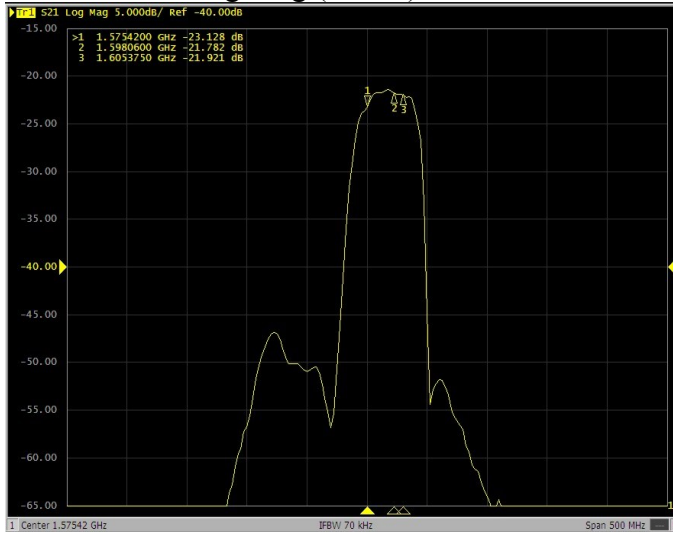


3. MEASUREMENT

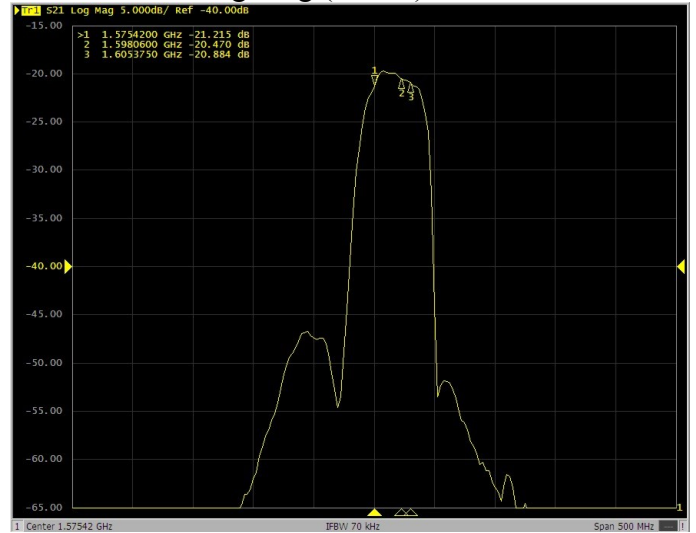
- Antenna was tested with 30cm of RG58 in anechoic chamber

3.1. Antenna gain (S21)

Log Mag (GNSS) at 3V

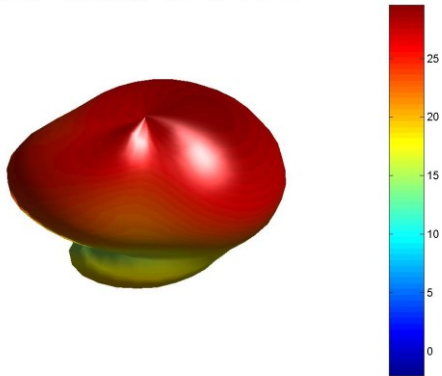


Log Mag (GNSS) at 5V

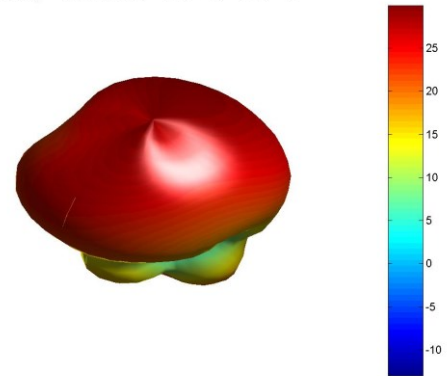


3.2. 3D radiation pattern

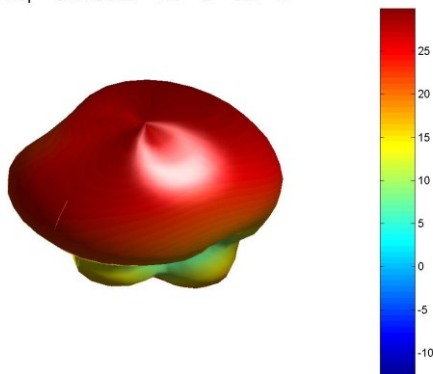
Freq = 1.5754GHz Az= 45 EL= 45



Freq = 1.5979GHz Az= 45 EL= 45



Freq = 1.5979GHz Az= 45 EL= 45



4. IMAGES

