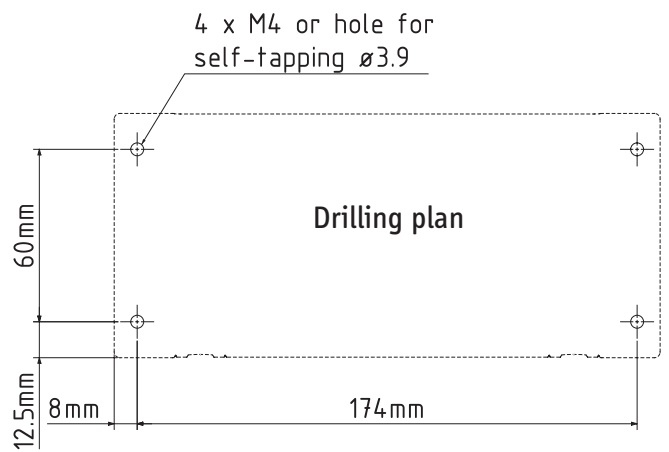
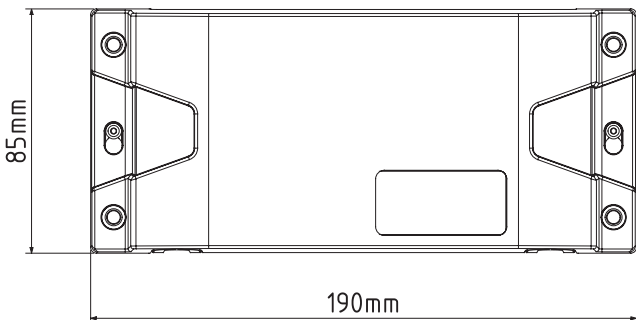
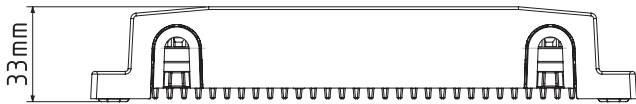
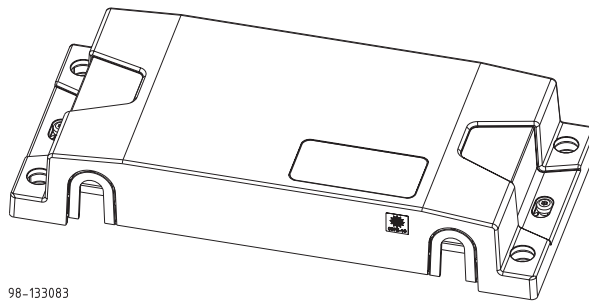


SAILOR 6090 Power Converter



Technical specifications

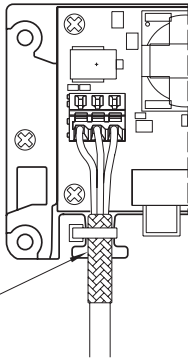
Input voltage (operational):	21V DC - 32V DC
Output voltage:	12.5V DC \pm 5%
Output current (@12.5V):	8A
Efficiency (typical):	>94%
Fuse type:	10A ATO mini
Current limit:	8A@12.5V
Current limit:	7A@15V

Note: The Power Converter is short-circuit protected at the output, it means that a short circuit will not cause the fuse to burn.

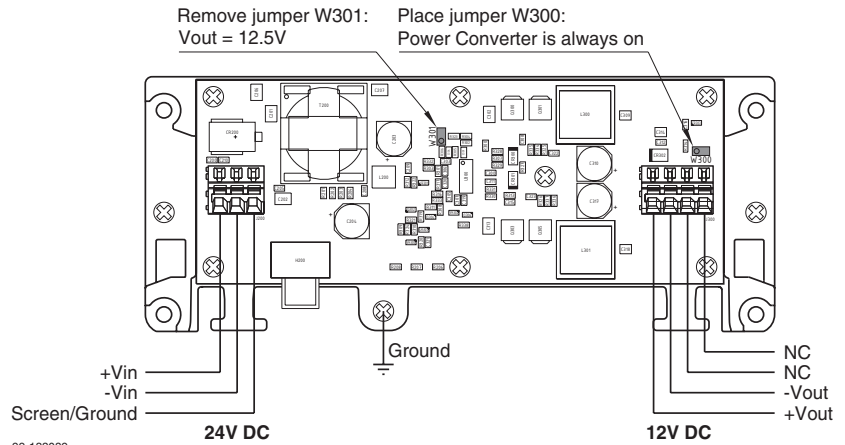
Placing of jumpers

Connected to SAILOR 6210 - 6218 VHF

The cable screen must be securely connected to the metal finger on the box by using the finger strip

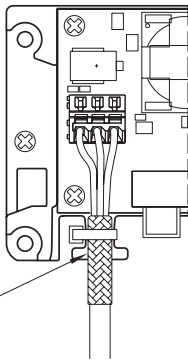


99-133134

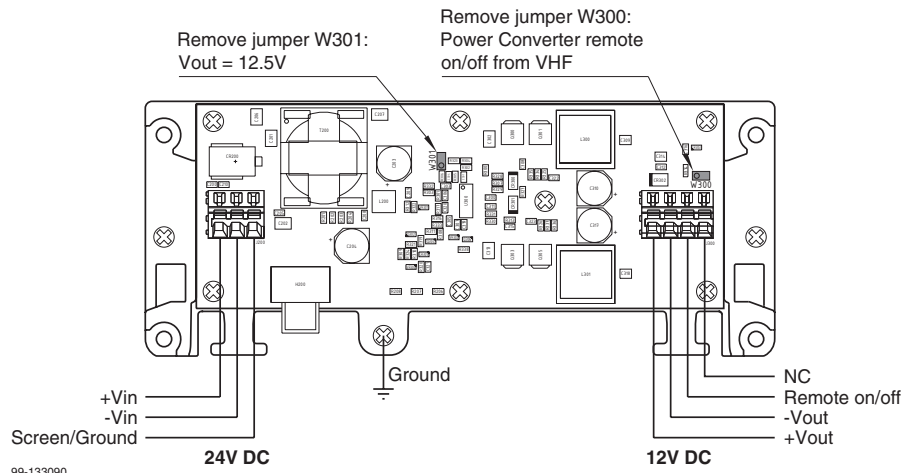


Connected to SAILOR 6222, 6248 VHF

The cable screen must be securely connected to the metal finger on the box by using the finger strip

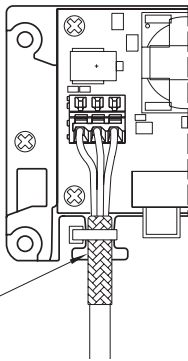


99-133134

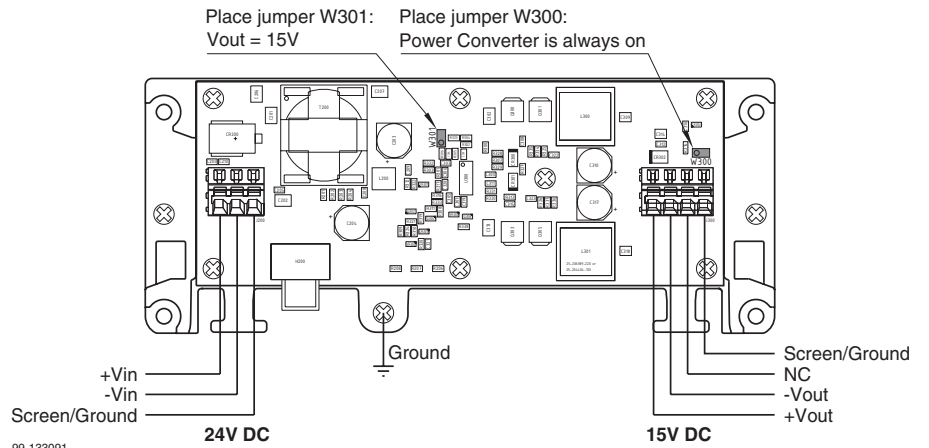


Connected as CAN injector

The cable screen must be securely connected to the metal finger on the box by using the finger strip



99-133134



98-132402A-B