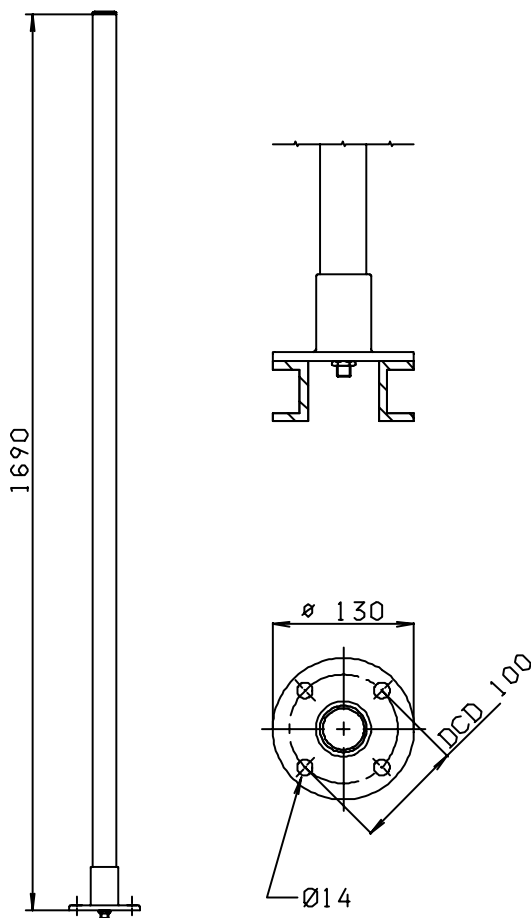


# COMROD AV8

## 1.7 m Ground-Air VHF Antenna

### Application:

The AV8 is a centered coaxial halfwave dipole for the aeronautical communication band 118-144 MHz. The dipole element is embedded in polyurethane foam and enclosed in a fiberglass reinforced tube. A special construction gives AV8 DC short to earth.



### Electrical specifications:

Frequency range	118-144 MHz
Nominal impedance	50 ohm
Power rating	100 W
Gain	2 dbi
Pattern	Omnidirectional
Polarization	Vertical
Connector	N-female
VSWR	< 2 see reverse side

### Mechanical specifications:

Design	Centerfed coaxial dipole. Radiating element completely enclosed in polyurethane foam within a fiberglass tube.
Height	1.7 m (5.7 ft)
Weight	3.5 kg
Wind rating	55 m/s = 125 mph
Finish	Polyurethane lacquer, white
Temperature range	-55 °C, +55 °C; -67 °F, +131 °F

### Mounting:

AV8 may be mounted to flange or bracket in mast.

# VSWR-diagram

