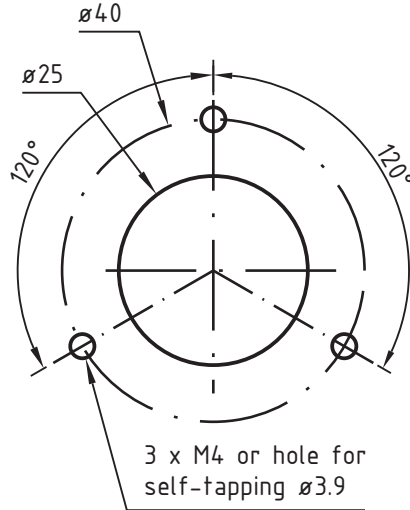


62-134203 - Bulkhead mounting kit for circular connector

Drilling plan

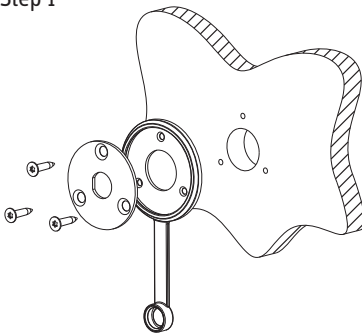
IMPORTANT!

If this template was printed from an electronic file or copied, scaling (1:1) may not be correct. Consequently do not attempt to use a printed or copied template without prior checking of dimensions.



Installation

Step 1



Step 2

