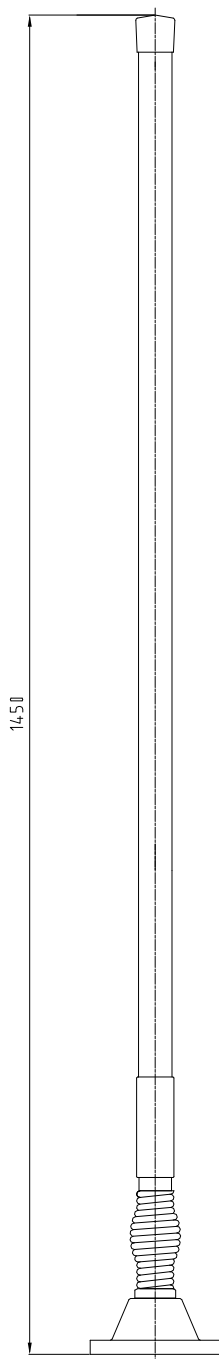


# COMROD UHF380430VM/HG

## TETRA Antenna

### Application:

- \* 380-430 MHz, TETRA
- \* High gain, 4dBi
- \* Designed for operation on all kinds of vehicles including Jeeps, Trucks and other armored vehicles.
- \* Suitable for operation on shelters and to be mounted on masts or in other permanent installations.
- \* Different kinds of bases available, with or without spring for flexible or rigid installations.
- \* No ground-plane needed.
- \* No tuning required.
- \* Uses the same bases as our VHF3088VM series of antennas. This includes a special base with a built-in GPS antenna.



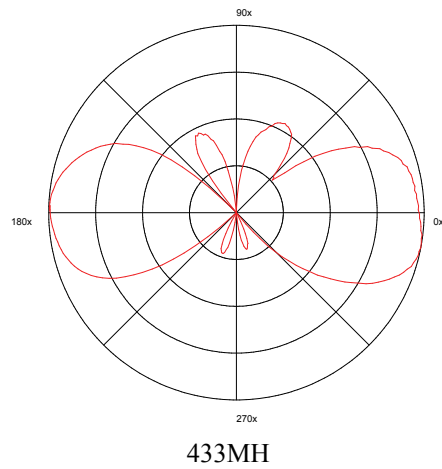
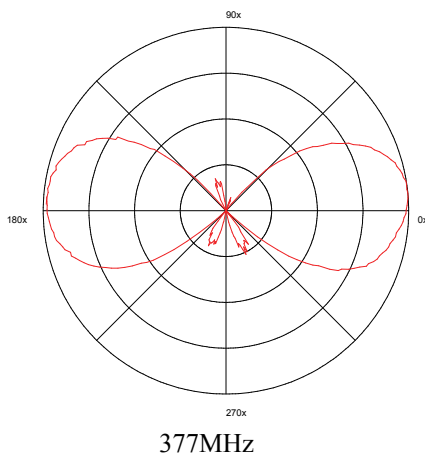
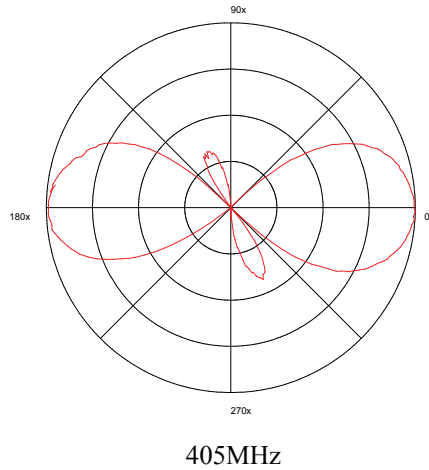
### Electrical specifications:

Frequency range	380 - 430 MHz
VSWR	<2
Nominal impedance	50 ohm
Power rating	50 W CW
Gain	4 dBi
Radiation pattern	Azimuth: Omnidirectional Elevation: See diagram overleaf
Polarization	Vertical
Connector	To be specified together with base

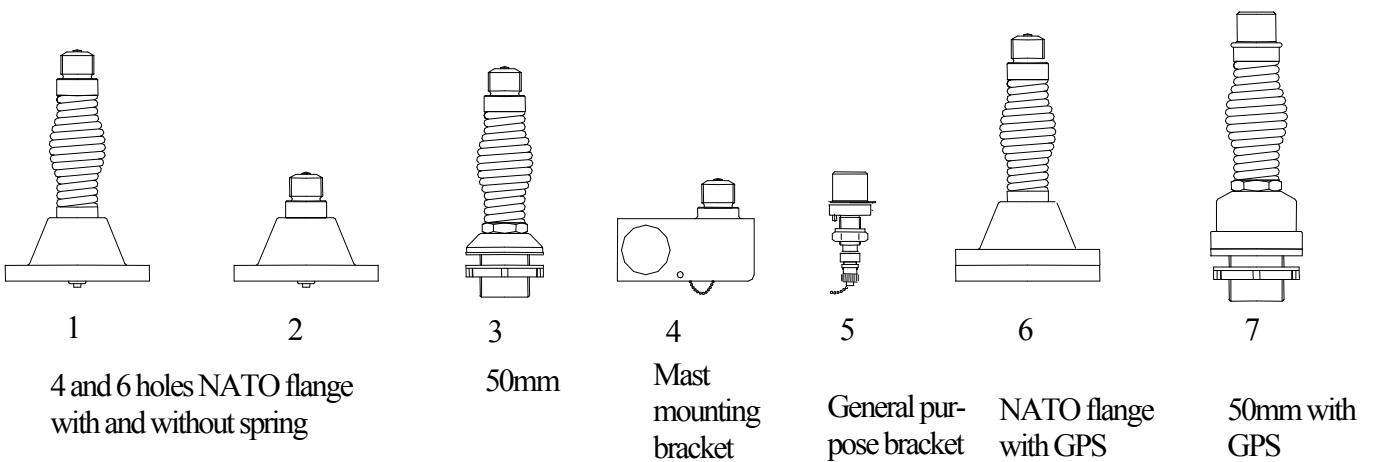
### Mechanical specifications:

Design	Dual dipoles. Radiating element completely enclosed in epoxy/fiberglass laminate. Metal parts are brass and stainless steel.
Length	1.25 m, without spring base
Weight	2 kg, ex. base
Wind rating	55 m/s = 125 mph
Finish	Polyurethane lacquer, olive drab.
Temperature range	-55 °C, +71 °C; -67 °F, +160 °F

## Radiation Diagram, Elevation:



## Optional bases:



## Mounting:

The mounting hardware makes UHF380430VM/HG an extremely flexible and versatile system. The same antenna element can be used for vehicles and mast mounting and for permanent installations. The antenna may easily be switched from one application to another without the use of tools. Mast adapters for different masts are available.